

**M12 male 0° / M12 female 0° CANopen/DeviceNet**

PUR AWG24+AWG22 shielded vt UL/CSA+drag ch. 3,4m

DeviceNet, CANopen

Male straight – female straight

M12 – M12, 5-pole

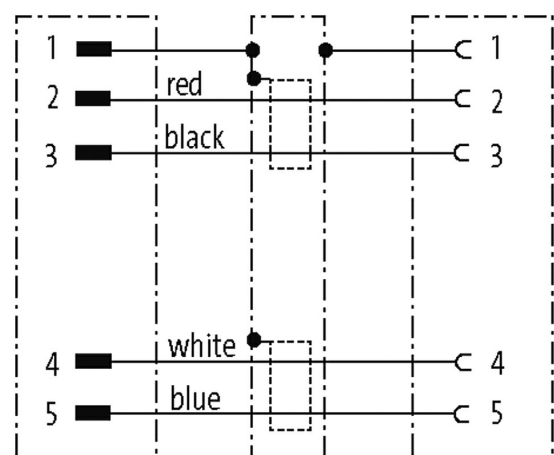
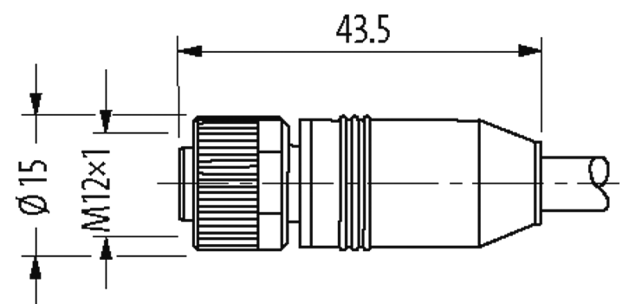
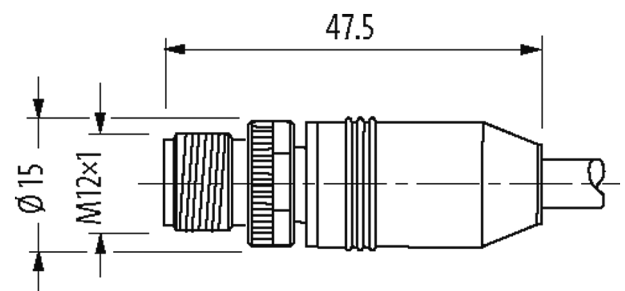
A-coded

shielded

Plastic housings with good resistance against chemicals and oils.

The resistance to aggressive media should be individually tested for your application. Further details on request.

Further cable lengths on request.

**Illustration**

Product may differ from Image

## Approvals

cCSAus



\* only for products with UL/CSA approved cable

EAC

## More Info




## Form

Form 40531

## Cables

|                               |  |
|-------------------------------|--|
| No./diameter of wires         | 2× 0.25 + 2× 0.34 mm <sup>2</sup>  |
| Wire isolation                | PE (rd, bk), (bl, wh)  |
| Material (jacket)             | PUR (UL/CSA)   |
| Outer Ø                       | 6.9 mm ±5%   |
| Bend radius (moving)          | 10× outer Ø  |
| Temperature range (fixed)     | -40...+80 °C   |
| Temperature range (mobile)    | -30...+70 °C   |
| Cable identification          | 803  |
| Approval (cable)              | UL (AWM-Style 20233/10578), CSA; CE  |
| Cable weight [g/m]            | 63,12  |
| Material (wire)               | Cu wire, tin plated  |
| Resistor (core)               | max. 78 Ω/km (data pair, max. 54 Ω/km (power pair); (20 °C)                          |
| Diameter (core)               | 2× 0.25 + 2× 0.34 mm <sup>2</sup>  |
| AWG                           | similar to AWG 24 (0.25 mm <sup>2</sup> ); similar to AWG 22 (0.34 mm <sup>2</sup> ) |
| Wire-Ø incl. isolation        | 2.1 mm ±5% (0.25 mm <sup>2</sup> ); 1.5 mm ±5% (0.34 mm <sup>2</sup> )               |
| Color/numbering of wires      | wh, bl (data pair); bk, rd (power pair)  |
| Shield                        | yes  |
|                               | min. 65%   |
| Material (jacket)             | PUR  |
| Outer-Ø (jacket)              | 6.9 mm ±5%   |
| Color (jacket)                | violet   |
| chemical resistance           | good resistance to oil, gasoline and chemicals                                       |
| thermal resistance            | flame retardant  |
| Nominal voltage               | 300 V  |
| Temperature range (fixed)     | -40...+80 °C   |
| Temperature range (mobile)    | -30...+70 °C   |
| Bend radius (fixed)           | 6× outer Ø   |
| Bend radius (moving)          | 10× outer Ø  |
| Traversing distance (C-track) | max. 5 m (horizontal)  |
| Travel speed (C-track)        | max. 3 m/s   |
| Acceleration (C-track)        | max. 5 m/s <sup>2</sup>  |
| Jacket Color                  | violet   |

## Technical Data

|                                    |                 |
|------------------------------------|-----------------|
| Operating voltage                  | max. 60 V AC/DC |
| Operating voltage (only UL listed) | max. 30 V AC/DC |

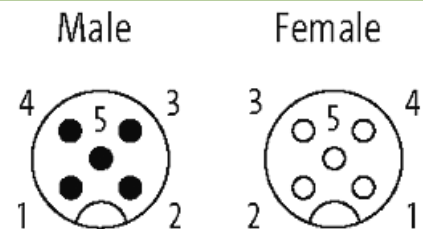
|   |  |
|---|--|
| Rated surge voltage                       | 1.5 kV   |
| Operating current per contact             | max. 4 A   |
| Material group                            | IEC 60664-1, category I  |
| Coding                                    | A-coded  |
| Locking of ports                          | Screw thread (M12×1 mm) recommended torque 0.6 Nm, self-securing |
| Compression gland                         | M12 (SW13)   |
| Protection                                | IP65, IP66K, IP67 inserted and tightened (EN 60529)              |
| Locking material                          | Zinc die casting, matte nickel plated                            |
| Material                                  | PUR  |
| suitable for corrugated tube (internal Ø) | without  |

**General data**

|                   |  |
|-------------------|--|
| Standards         | DIN EN 61076-2-101 (M12)                 |
| Pollution Degree  | 3  |
| Temperature range | -25...+85 °C, depending on cable quality |
| Material (gasket) | FKM                                      |

**Commercial data**

|                       |               |
|-----------------------|---------------|
| country of origin     | CZ            |
| customs tariff number | 85444290      |
| EAN                   | 4048879702782 |
| eClass                | 27279218      |
| Packaging unit        | 1             |

**Sketch**

Product may differ from Image